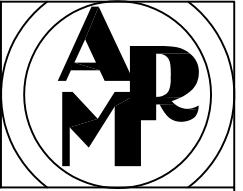
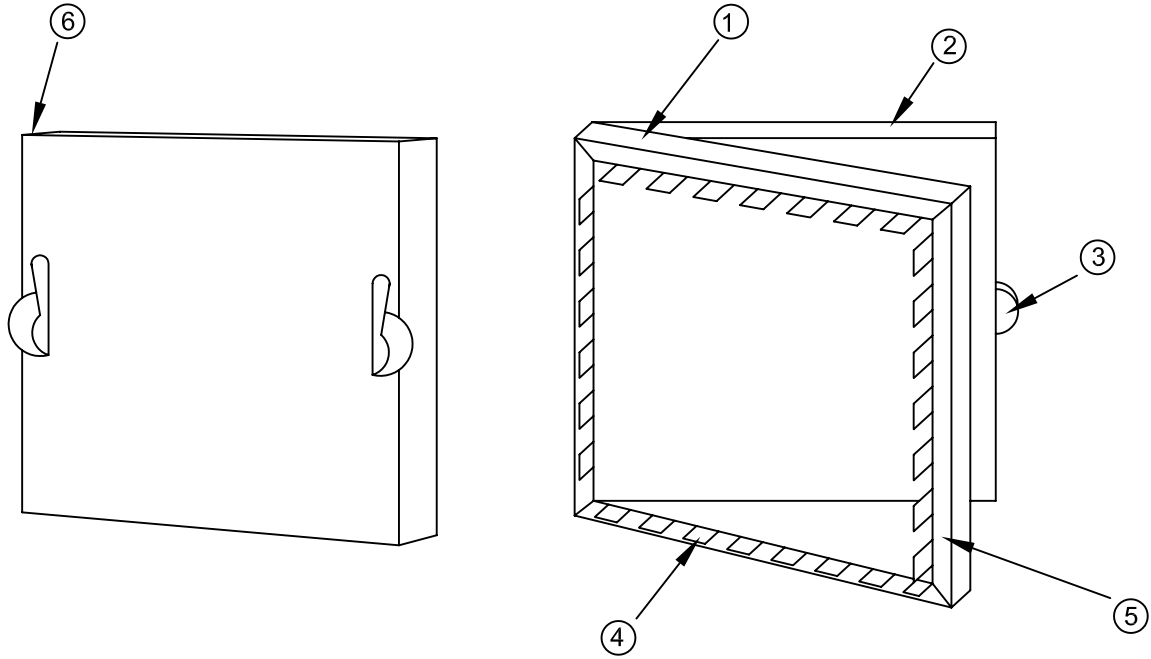


AIR-RITE MANUFACTURING, LLC

ACCESS DOORS



SUBMITTAL/FABRICATION DETAIL
MODEL: AD-1 DUCT ACCESS DOOR



	FRAME SIZE	DOOR SIZE	COUNT
	6 x 6	5 11/16" x 5 11/16"	
	8 x 8	7 11/16" x 7 11/16"	
	10 x 10	9 11/16" x 9 11/16"	
	12 x 12	11 11/16" x 11 11/16"	
	14 x 14	13 11/16" x 13 11/16"	
*	16 x 16	15 11/16" x 15 11/16"	
*	18 x 18	17 11/16" x 17 11/16"	
*	20 x 20	19 11/16" x 19 11/16"	
*	24 x 24	23 11/16" x 23 11/16"	

*** DOUBLE CAMLOCKS**

Standard Construction

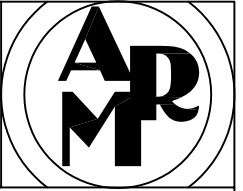
- ① -24 ga. Construction
- ② -Doors are 1" thick, insulated, and foam sealed.
- ③ -Cam style lock w/ strike.
- ④ -"Dove Tail" style knock-overs.
- ⑤ -Foam seal against duct work.
- ⑥ -Continuous galvanized piano hinge.

Optional Construction:

- Aluminum construction.
- Stainless Steel construction.

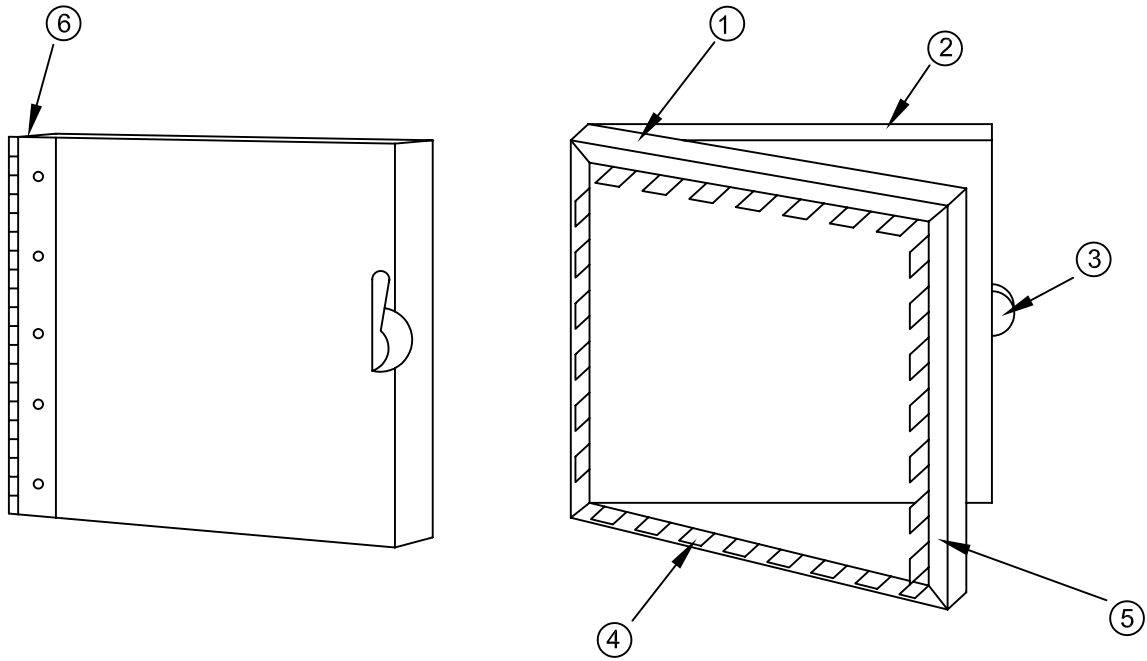
Union "Blue Label" Made.

PROJECT NAME:
ENGINEER:
TAG #:
CONTRACTOR:
SUBMITTED BY:



SUBMITTAL/FABRICATION DETAIL

MODEL: HAD-2 HINGED DUCT ACCESS DOOR



	FRAME SIZE	DOOR SIZE	COUNT
	6 x 6	5 11/16" x 5 11/16"	
	8 x 8	7 11/16" x 7 11/16"	
	10 x 10	9 11/16" x 9 11/16"	
	12 x 12	11 11/16" x 11 11/16"	
	14 x 14	13 11/16" x 13 11/16"	
*	16 x 16	15 11/16" x 15 11/16"	
*	18 x 18	17 11/16" x 17 11/16"	
*	20 x 20	19 11/16" x 19 11/16"	
*	24 x 24	23 11/16" x 23 11/16"	

* DOUBLE CAMLOCKS

Standard Construction

- ① -24 ga. Construction
- ② -Doors are 1" thick, insulated, and foam sealed.
- ③ -Cam style lock w/ strike.
- ④ -"Dove Tail" style knock-overs.
- ⑤ -Foam seal against duct work.
- ⑥ -Continuous galvanized piano hinge.

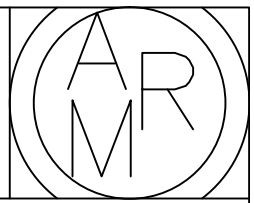
Optional Construction:

- Aluminum construction.
- Stainless Steel construction.

Union "Blue Label" Made.

PROJECT NAME:
W/O #:
TAG #:
CONTRACTOR:
SUBMITTED BY:

PAGE: HAD-2



SUBMITTAL/FABRICATION DETAIL

MODEL: **AD-3** Round DUCT ACCESS DOOR

Round access doors are used to provide a more effective easy access area into round ductwork that requires no frame to install

Features:

- Meets 2005 SMACNA for pressure class & gauges
- Service temperature range of 20* F to 200*F
- Tested up to 20W.G. and negative 10W.G.



Standard Construction

- 24 gauge ASTM A-653 G60 Construction
- Closed cell frame bonded neoprene gasket
- Zinc-plated Steel Springs
- Polypropylene molded knobs with threaded metal inserts
- Zinc-plated Steel Bolts.
- 10"x6" size made to fit round ductwork 10" to 76"

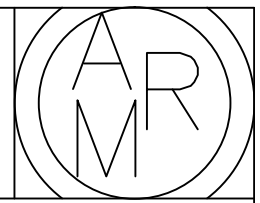
Optional Construction:

- Aluminum construction.
- Stainless Steel construction.

Union "Blue Label" Made.

PROJECT NAME:
ENGINEER:
TAG #:
CONTRACTOR:
SUBMITTED BY:

PAGE: AD-3

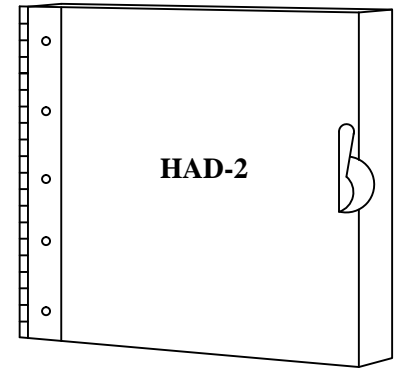
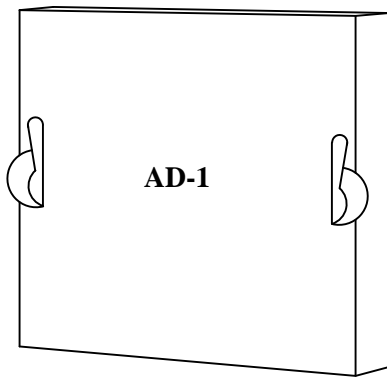


MODEL: AD-1, AD-3, HAD-2

DUCT ACCESS DOOR PRICING

NON-HINGED ACCESS DOOR, ROUND ACCESS DOOR, & HINGED ACCESS DOORS

AD-3



6"x6"	32.00
8"x8"	34.00
10"x10"	40.00
12"x12"	44.00
14"x14"	54.00
16"x16"	64.00
18"x18"	72.00
20"x20"	80.00
24"x24"	98.00

5" - 12"	60.00
14" - 16"	80.00
18" - 24 "	110.00
28" - 30"	130.00
32" or Larger	Consult Factory

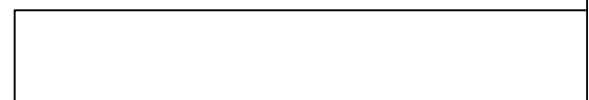
6"x6"	34.50
8"x8"	36.50
10"x10"	42.50
12"x12"	46.50
14"x14"	57.00
16"x16"	67.00
18"x18"	77.00
20"x20"	85.00
24"x24"	103.00

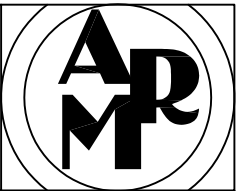
ALUMINUM CONSTRUCTION ADD

- Consult factory for price & availability

STAINLESS STEEL CONSTRUCTION ADD

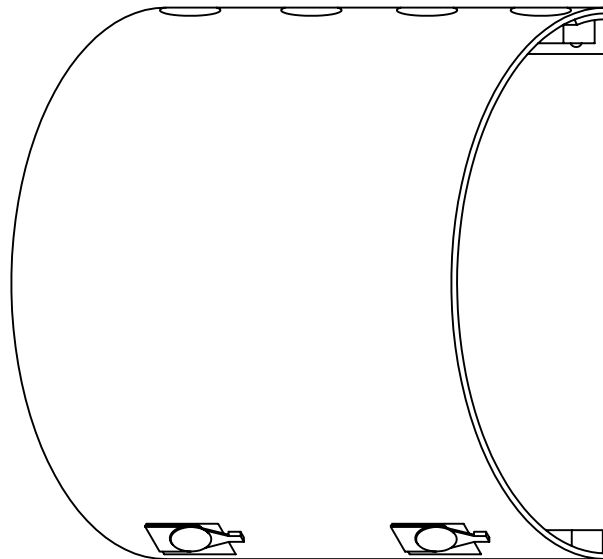
- Consult factory for price & availability





SUBMITTAL/FABRICATION DETAIL

MODEL: HAD-3 ROUND DUCT HINGED ACCESS DOOR



DUCT SIZE	QTY.
6"Ø	
8"Ø	
10"Ø	
12"Ø	
14"Ø	
16"Ø	
18"Ø	
20"Ø	
24"Ø	

Standard Construction

- ① -24 ga. Construction.
- ② -Doors are foam sealed.
- ③ -Cam style lock w/ strike.
- ④ -Continuous galvanized piano hinge.

Optional Construction:

- Aluminum construction.
- Stainless Steel construction.

Union "Blue Label" Made.

PROJECT NAME:
ENGINEER:
TAG #:
CONTRACTOR:
SUBMITTED BY: