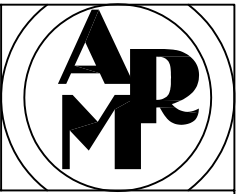


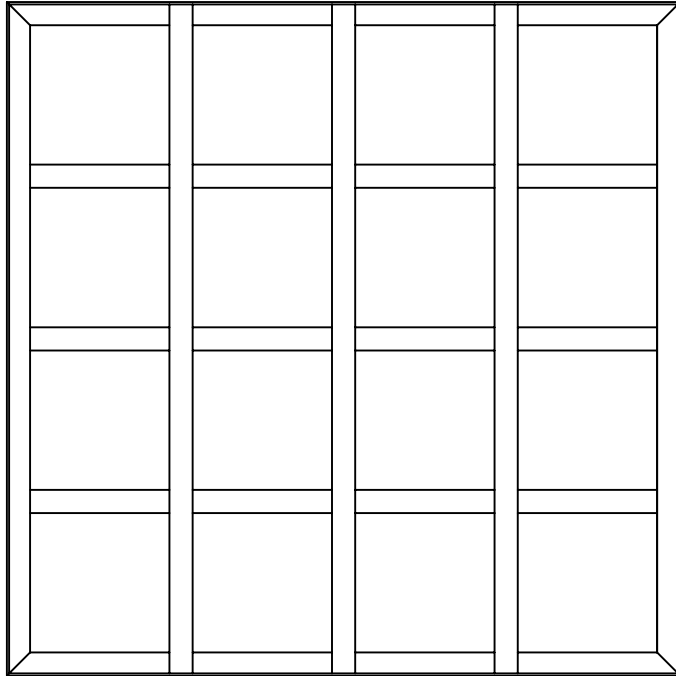
**AIR-RITE MANUFACTURING, LLC**

**BURGLAR BARS**



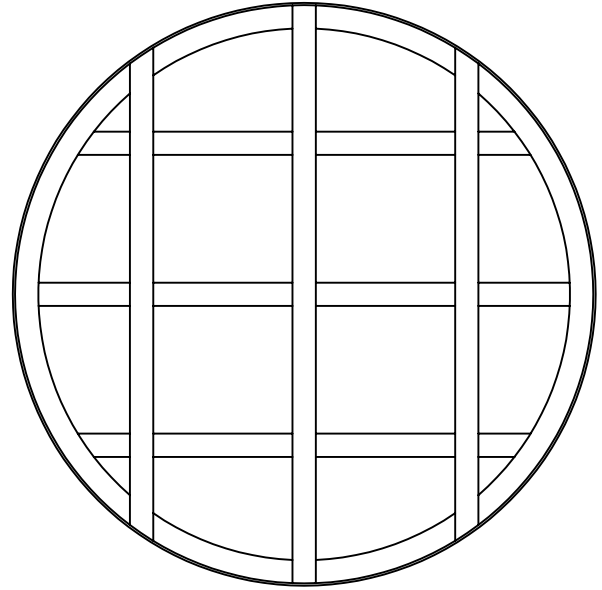
## SUBMITTAL/FABRICATION DETAIL

MODEL: BB-1



**RECTANGULAR  
BURGLAR BARS**

QTY.	W x H



**ROUND BURGLAR  
BARS**

QTY.	DIAMETER

**STANDARD CONSTRUCTION**

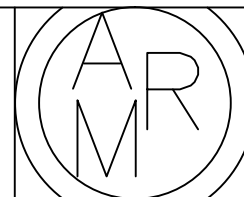
1. Webbing = 1/2" steel bar stock.
2. Frame = 1" x 1" x 1/8" thick steel angle.
3. Webbing welded @ 6" on center.

**OPTIONAL CONSTRUCTION**

- 1. Stainless Steel construction.
- 2. Powder Coating

Union "Blue Label" Made.

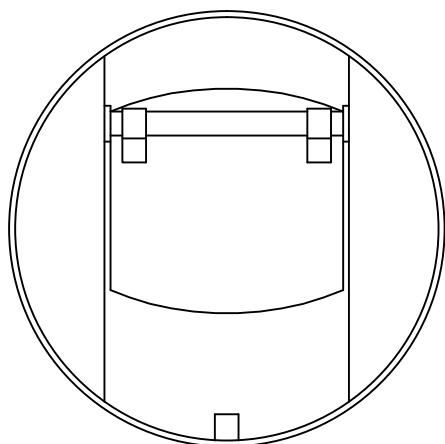
PROJECT NAME:
W/O #:
TAG #:
CONTRACTOR:
SUBMITTED BY:



**MODEL: BDD-1**

## STANDARD DAMPER PRICING

### ROUND BACK-DRAFT DAMPERS



ADJUST SLIDE TYPE  
COUNTERBALANCE.....ADD 15%

4" TO 5 ½"	96.00
6" TO 10"	122.00
10 ½" TO 14"	148.00
14 ½" TO 18"	174.00
18 ½" TO 22"	200.00
22 ½" TO 26"	226.00
27" TO 32"	252.00

CONTACT FACTORY FOR SIZES OVER 32"Ø.

ALL ALUMINUM CONSTRUCTION.....ADD 40%.

