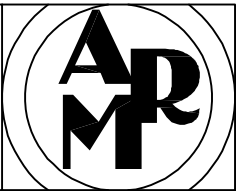


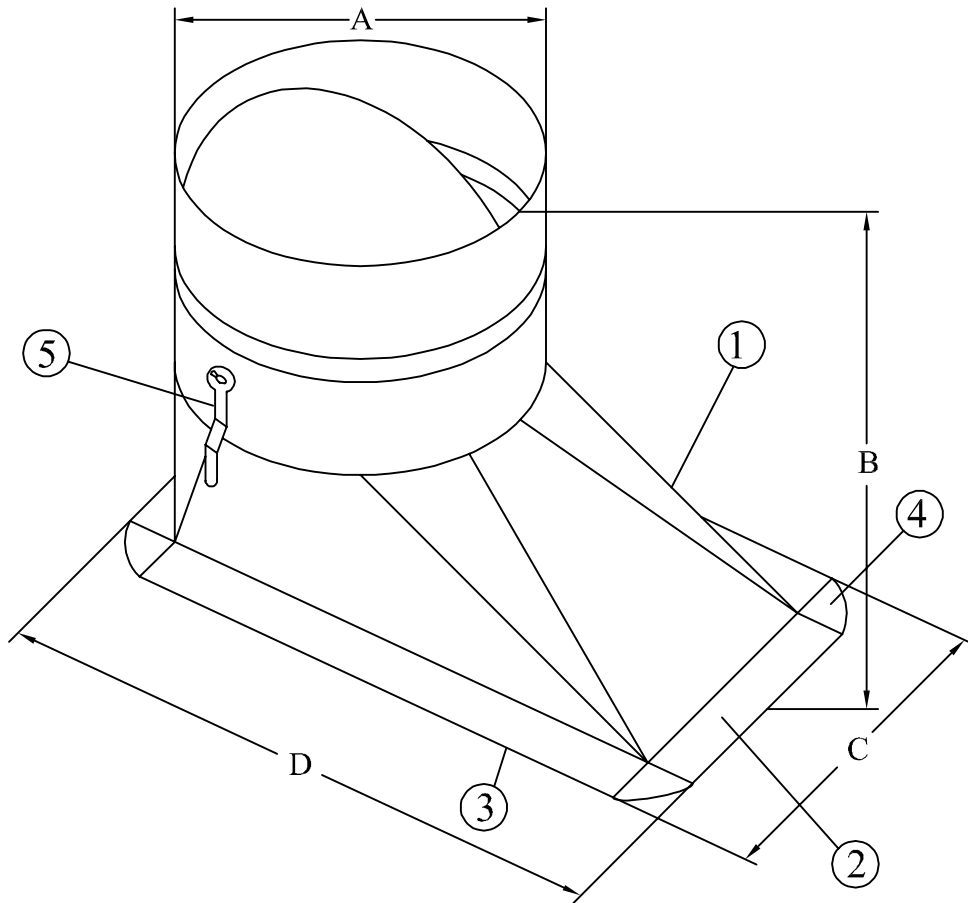
AIR-RITE MANUFACTURING, LLC

SIDE TAKE-OFFS



SUBMITTAL/FABRICATION DETAIL:

MODEL: ST-1 HIGH EFFICIENCY SIDE TAKE-OFF



A	B	C	D
6"	10 1/2"	6.75"	12.00"
7"	10 1/2"	7.00"	13.00"
8"	10 1/2"	8.00"	14.00"
9"	10 1/2"	9.00"	15.00"
10"	10 1/2"	10.00"	16.00"
12"	10 1/2"	12.00"	18.00"
14"	10 1/2"	14.00"	20.00"
16"	10 1/2"	16.00"	22.00"
18"	10 1/2"	18.00"	24.00"
20"	10 1/2"	20.00"	26.00"

Count	Size

Standard Construction

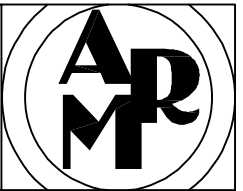
- ① -26 ga. galvanized steel construction.
- ② -1" flange for securing to duct.
- ③ -Gasket around flange.
- ④ -Sealed corner pieces.
- ⑤ -Damper blade regulator.

Optional Construction

- No dampers.
- For spiral pipe (shoe tap).
- Aluminum construction.
- 24 ga. body.
- Heavy gauge blade.
- Continuous shaft and bronze end bearings.

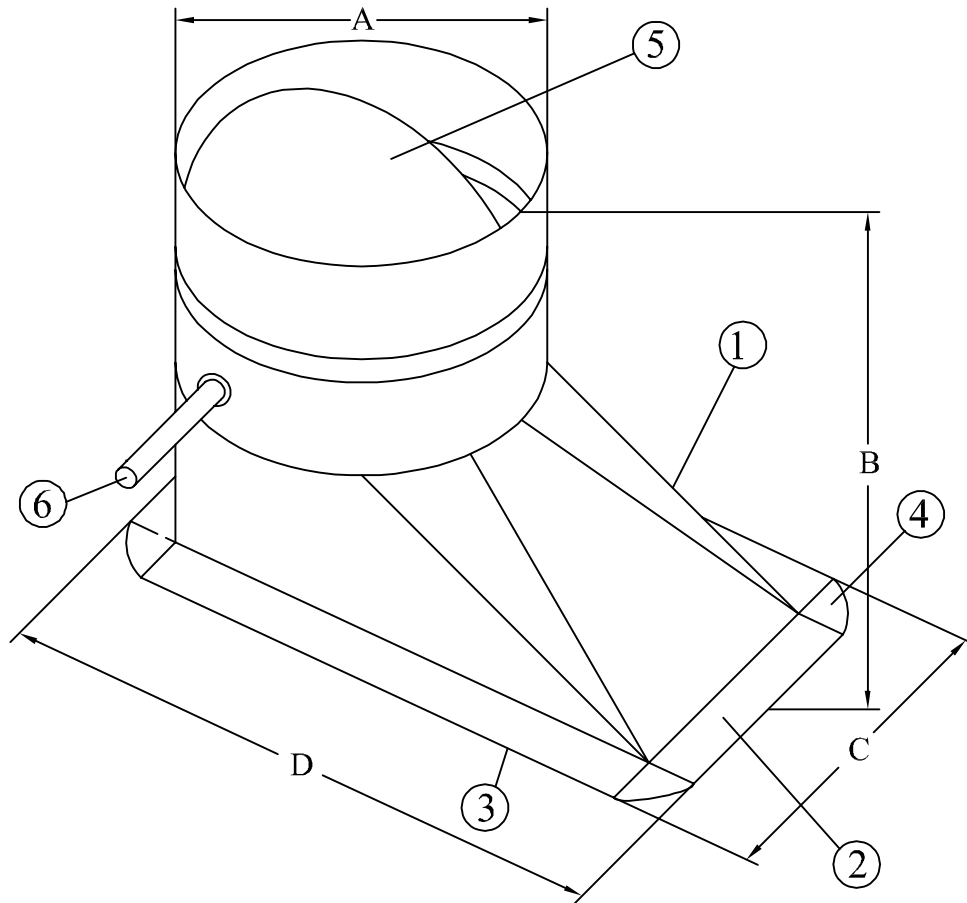
Union "Blue Label" Made.

PROJECT NAME: _____
 W/O #: _____
 TAG #: _____
 CONTRACTOR: _____
 SUBMITTED BY: _____



SUBMITTAL/FABRICATION DETAIL:

MODEL: **ST-1HD** HD HIGH EFFICIENCY SIDE TAKE-OFF



A	B	C	D
6"	10 1/2"	6.75"	12.00"
7"	10 1/2"	7.00"	13.00"
8"	10 1/2"	8.00"	14.00"
9"	10 1/2"	9.00"	15.00"
10"	10 1/2"	10.00"	16.00"
12"	10 1/2"	12.00"	18.00"
14"	10 1/2"	14.00"	20.00"
16"	10 1/2"	16.00"	22.00"
18"	10 1/2"	18.00"	24.00"
20"	10 1/2"	20.00"	26.00"

Standard Construction

- ① -24 ga. galvanized steel construction.
- ② -1" flange for securing to duct.
- ③ -Gasket around flange.
- ④ -Sealed corner pieces.
- ⑤ -18 ga. blade.
- ⑥ -Shaft with bronze end bearings.

Optional Construction

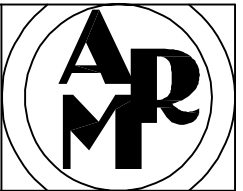
- No dampers.
- For spiral pipe (shoe tap).
- Aluminum construction.
- 1 1/2" Insulation Stand-off mounting bracket.
- Locking Quadrant handle.

Count	Size

Union "Blue Label" Made.

PROJECT NAME:
W/O #:
TAG #:
CONTRACTOR:
SUBMITTED BY:

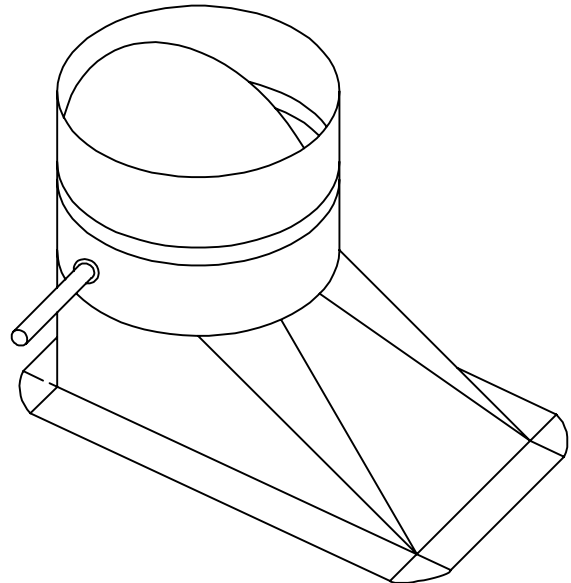
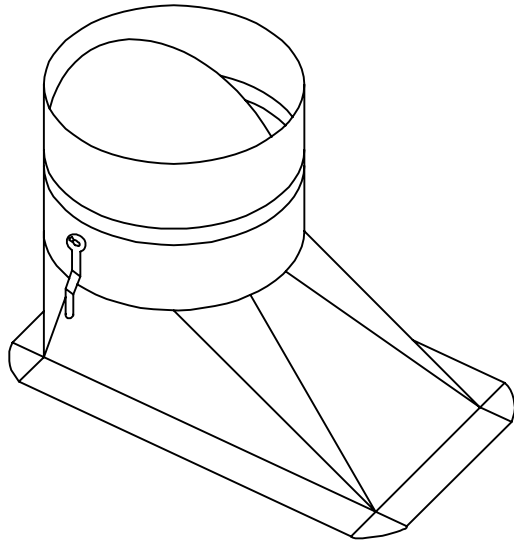
PAGE: ST-1HD



MODEL: ST-1, ST-1HD

SIDE TAKE-OFF PRICING

HIGH EFFICIENCY TAKE-OFF



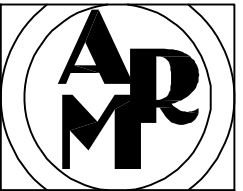
6"Ø	35
8"Ø	40
10"Ø	46
12"Ø	52
14"Ø	58
16"Ø	72
18"Ø	94
20"Ø	118

6"Ø H.D.	67
8"Ø H.D.	72
10"Ø H.D.	78
12"Ø H.D.	84
14"Ø H.D.	90
16"Ø H.D.	108
18"Ø H.D.	126
20"Ø H.D.	150

LOCKING QUADRANT HANDLE ADD: \$15.00

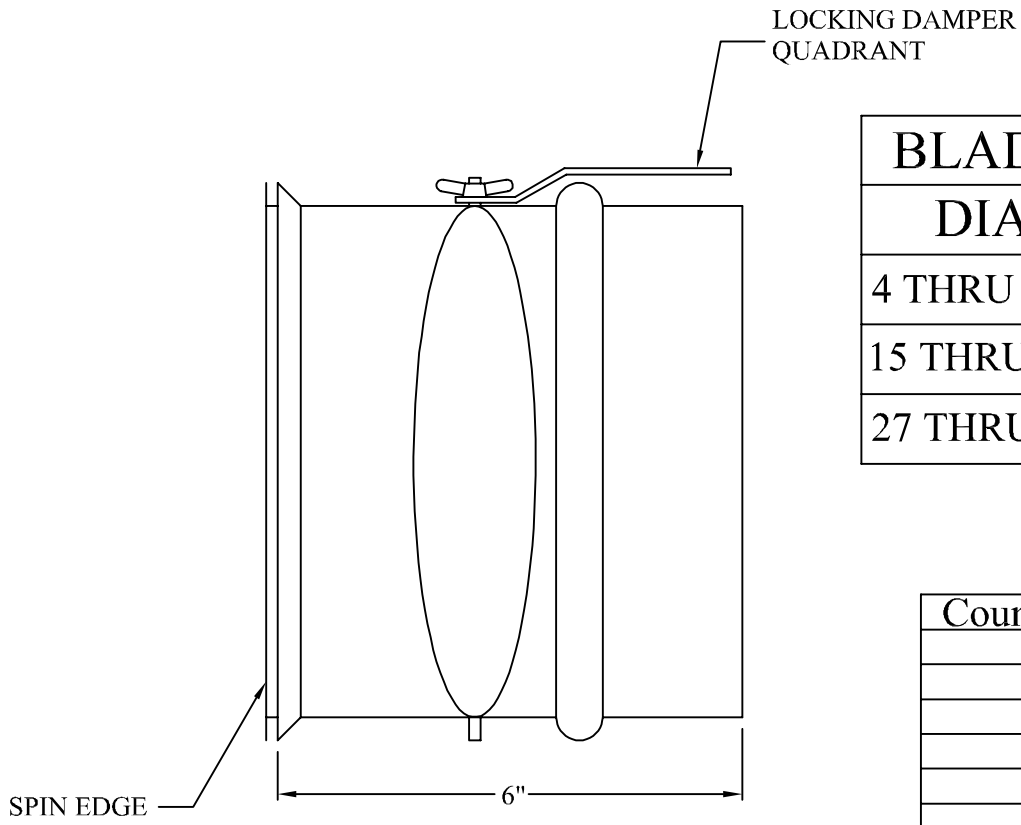
1 1/2" STAND-OFF (ST-1HD Only) ADD: \$8.00

DEDUCT FOR NO DAMPER BLADE: 15%



SUBMITTAL/FABRICATION DETAIL:

MODEL: ST-2 SPIN-IN



BLADE GAUGE	
DIA.	GAUGE
4 THRU 14	26
15 THRU 26	24
27 THRU 36	22

Count	Size

Standard Construction

- SMACNA approved gauges on body and blade.
- "Hammer-on" style regulator and end bearings.

Optional Construction

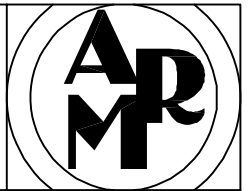
- No dampers.
- Air scoop.
- Dove tail style.

Union "Blue Label" Made.

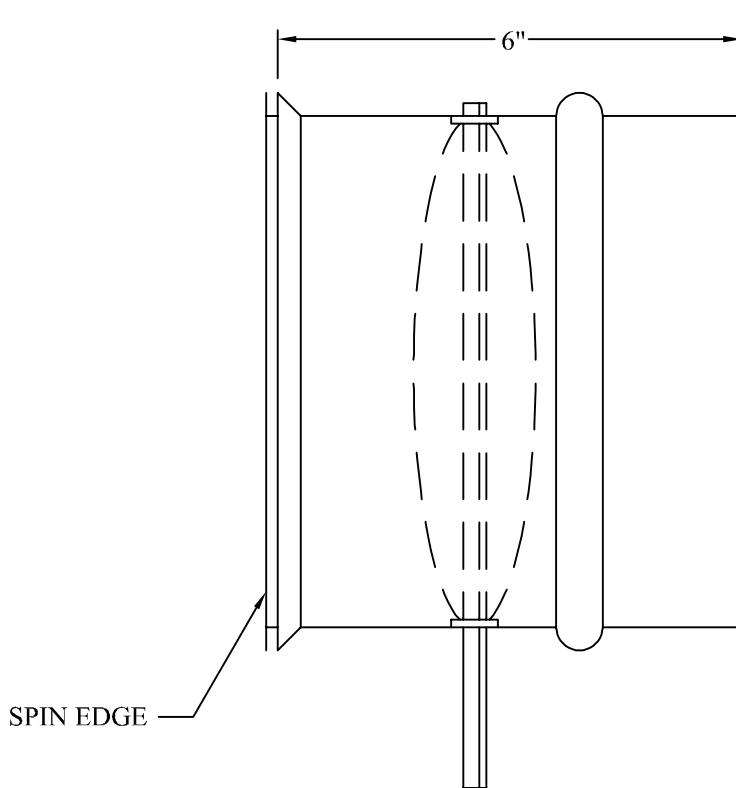
PROJECT NAME:
W/O #:
TAG #:
CONTRACTOR:
SUBMITTED BY:

PAGE: ST-2

AIR-RITE MANUFACTURING



SUBMITTAL/FABRICATION DETAIL: MODEL: ST-2HD HEAVY DUTY SPIN-IN



BLADE GAUGE	
DIA.	GAUGE
4 THRU 14	26
15 THRU 26	24
27 THRU 36	22

Count	Size

*** BODY LENGTH VARIES TO ACCOMODATE
BLADE. BLADE WILL NOT EXTEND INTO
AIR STREAM. ***

Standard Construction

- SMACNA approved gauges on body.
- 16 ga. blade.
- Continuous $\frac{3}{8}$ " square drive shaft.
- 16 ga. blade straps and hardware.
- Heavy duty bronze bushings.

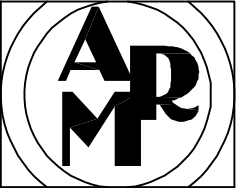
Optional Construction

- No dampers.
- Air scoop.
- Dove tail style.
- 1" Stand-off insulation bracket.
- Locking Quadrant handle.

Union "Blue Label" Made.

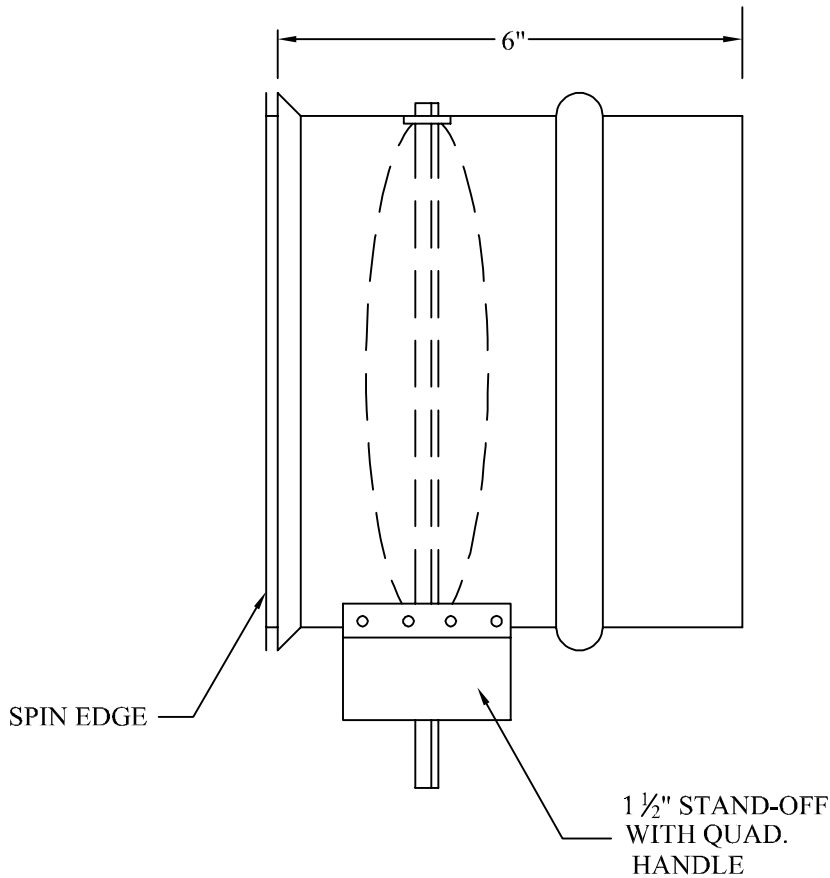
PROJECT NAME:	
W/O #:	
TAG #:	
CONTRACTOR:	
SUBMITTED BY:	

AIR-RITE MFG. RESERVES THE RIGHT TO CHANGE SPECIFICATIONS WITHOUT NOTICE.



SUBMITTAL/FABRICATION DETAIL:

MODEL: **ST-2HDS** HEAVY DUTY SPIN-IN



BLADE GAUGE	
DIA.	GAUGE
4 THRU 14	26
15 THRU 26	24
27 THRU 36	22

Count	Size

Standard Construction

- SMACNA approved gauges on body.
- 16 ga. blade.
- Continuous $\frac{3}{8}$ " square drive shaft.
- 16 ga. blade straps and hardware.
- Heavy duty nylon bushings.
- 1 $\frac{1}{2}$ " stand-off w/locking quadrant handle.

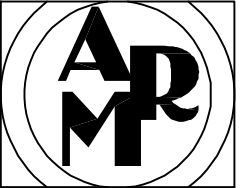
Optional Construction

- No dampers.
- Air scoop.
- Dove tail style.

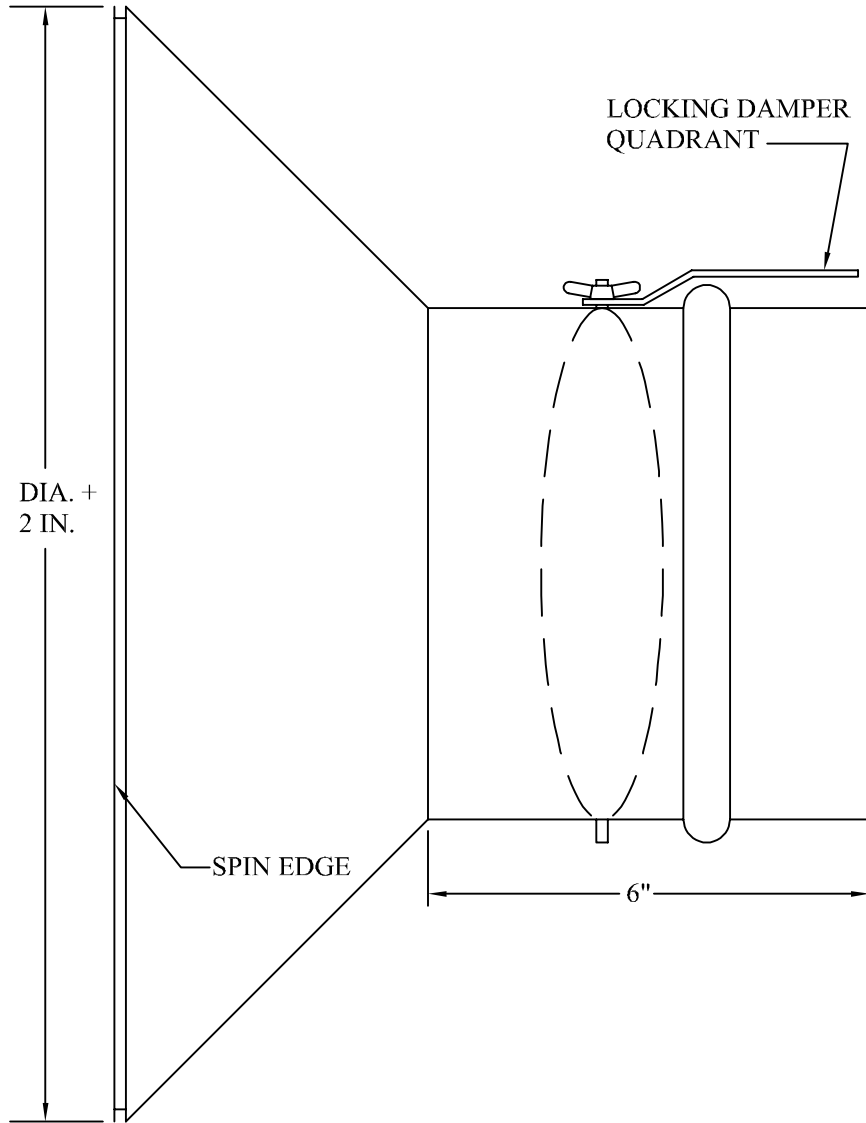
Union "Blue Label" Made.

PROJECT NAME:
W/O #:
TAG #:
CONTRACTOR:
SUBMITTED BY:

PAGE: ST-2HDS



SUBMITTAL/FABRICATION DETAIL:
MODEL: ST-3 BELL MOUTH SPIN-IN



BLADE GAUGE	
DIA.	GAUGE
4 THRU 14	26
15 THRU 26	24
27 THRU 36	22

Count	Size

Standard Construction

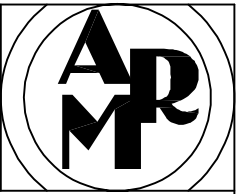
- SMACNA approved gauges on body and blade.
- "Hammer-on" style regulator and end bearings.

Optional Construction

- No Dampers.
- Air Scoop.
- Dove Tail Style.

Union "Blue Label" Made.

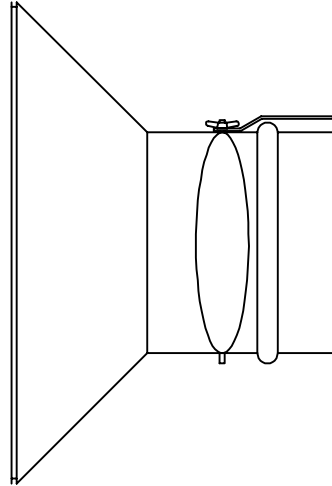
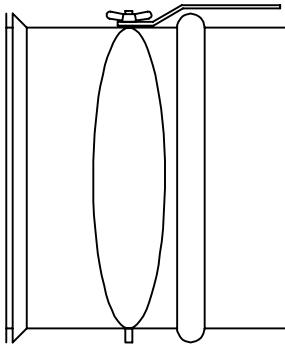
PROJECT NAME:
ENGINEER:
TAG #:
CONTRACTOR:
SUBMITTED BY:



MODEL: ST-2, ST-3

SIDE TAKE-OFF PRICING

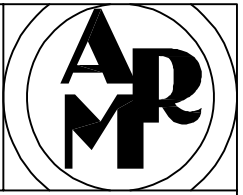
SPIN-IN, BELLMOUTH SPIN-IN



6"Ø	14
8"Ø	16
10"Ø	19
12"Ø	24
14"Ø	27
16"Ø	34
18"Ø	42
20"Ø	47

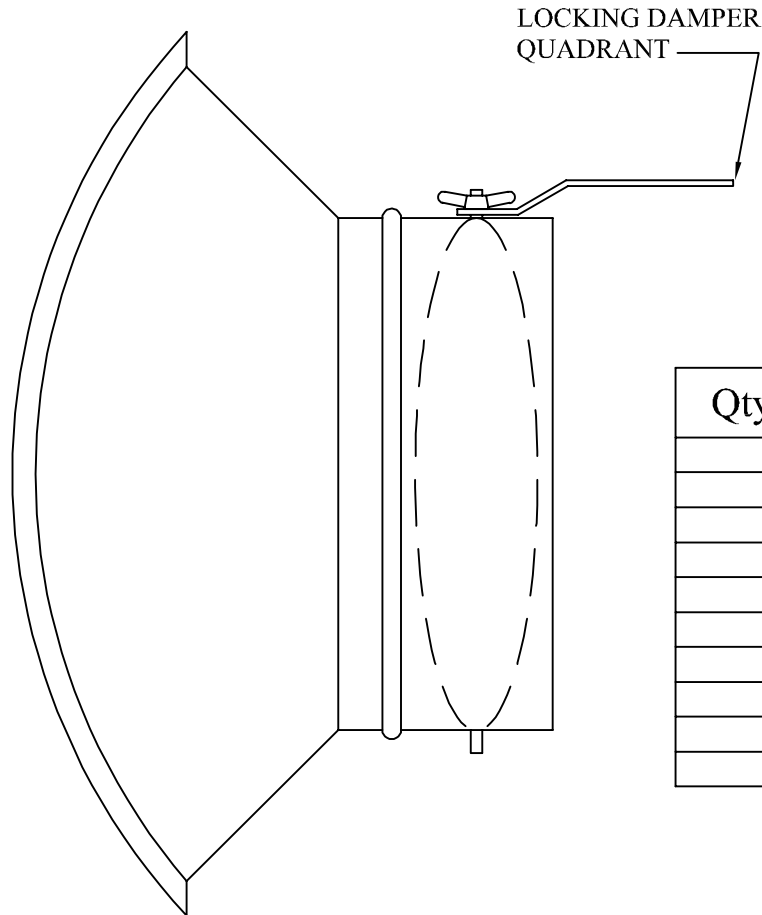
6"Ø	33
8"Ø	35
10"Ø	43
12"Ø	53
14"Ø	61
16"Ø	75
18"Ø	91
20"Ø	99

FOR ST-2HD CONSTRUCTION ADD TO LIST - \$16.00
 FOR ST-2HDS CONSTRUCTION ADD TO LIST - \$18.50
 ALUMINUM CONSTRUCTION ADD - 40%
 AIR SCOOP ADD - 20%
 DEDUCT FOR NO DAMPER BLADE - 15%



SUBMITTAL/FABRICATION DETAIL:

MODEL: ST-4 CONICAL TAP ON ROUND W/DAMPER



BLADE GAUGE	
DIA.	GAUGE
4 THRU 14	26
15 THRU 26	24
27 THRU 36	22

Qty.	Duct Size	On Ø Size

Standard Construction

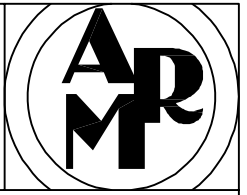
- SMACNA approved gauges on body and blade.
- "Hammer-on" style regulator and end bearings.

Optional Construction

- No Dampers.

Union "Blue Label" Made.

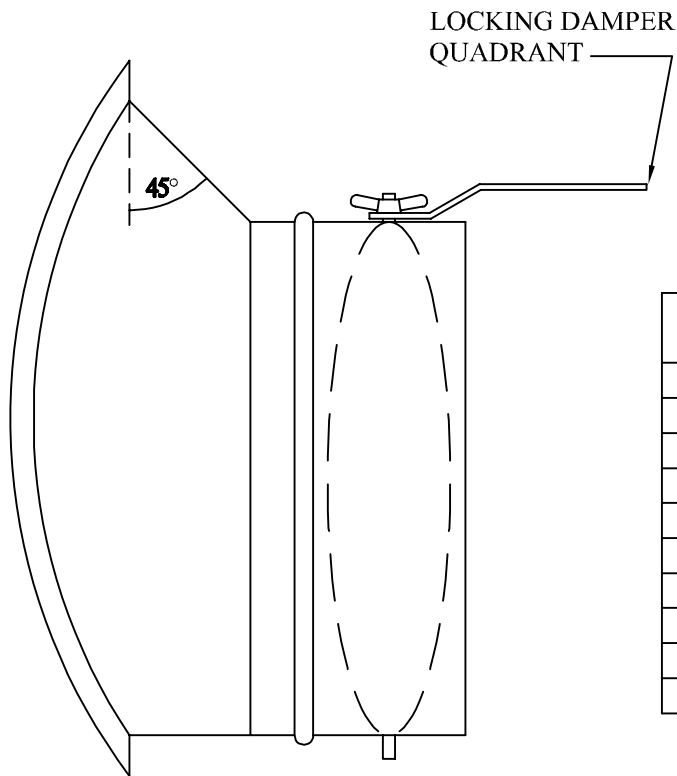
PROJECT NAME:
ENGINEER:
TAG #:
CONTRACTOR:
SUBMITTED BY:



SUBMITTAL/FABRICATION DETAIL:

MODEL: ST-5 45° TAP ON ROUND W/DAMPER

BLADE GAUGE	
DIA.	GAUGE
4 THRU 14	26
15 THRU 26	24
27 THRU 36	22



Qty.	Duct Size	On Ø Size

Standard Construction

- SMACNA approved gauges on body and blade.
- "Hammer-on" style regulator and end bearings.

Optional Construction

- No Dampers.

Union "Blue Label" Made.

PROJECT NAME:
ENGINEER:
TAG #:
CONTRACTOR:
SUBMITTED BY:

PAGE: ST-5