

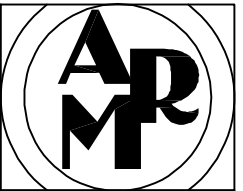
**AIR-RITE MANUFACTURING, LLC**

**BACKDRAFT**  

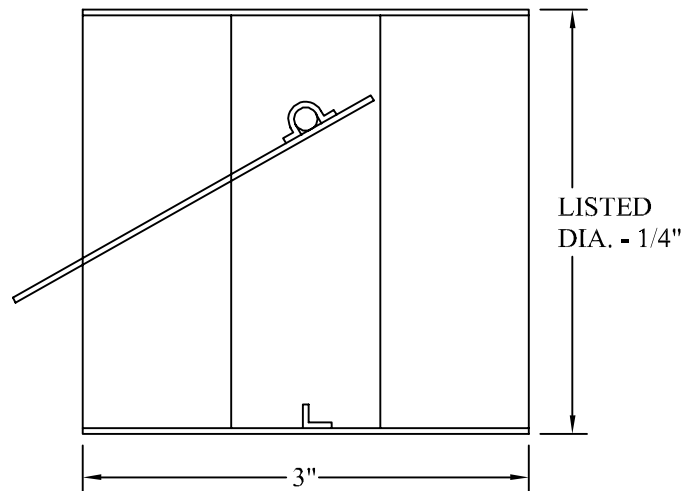
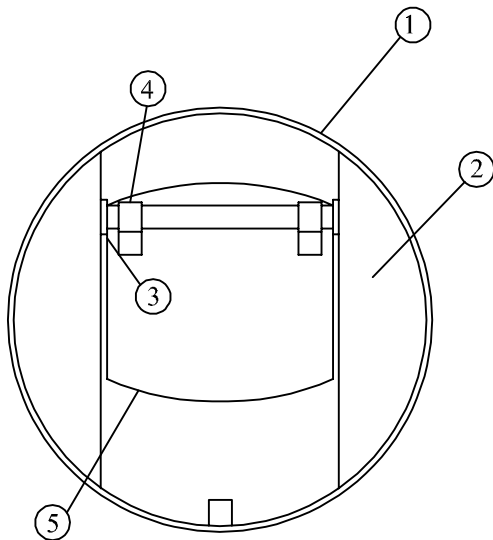
---

**DAMPERS**  

---



**SUBMITTAL/FABRICATION DETAIL:  
MODEL: BDD-1 ROUND BACKDRAFT DAMPER**



Count	Size

Standard Construction

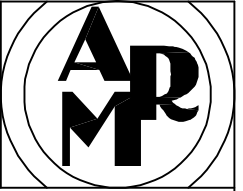
- ① -16 ga. galvanized steel frame.
- ② -16 ga. block outs (sized to over-all dimension of the damper).
- ③ -1/2" brass bushing.
- ④ -Blade straps/slide pin.
- ⑤ -.063 aluminum blade.

Optional Construction

- Aluminum construction.
- Adjustable counter weights.
- Nylon bushings.

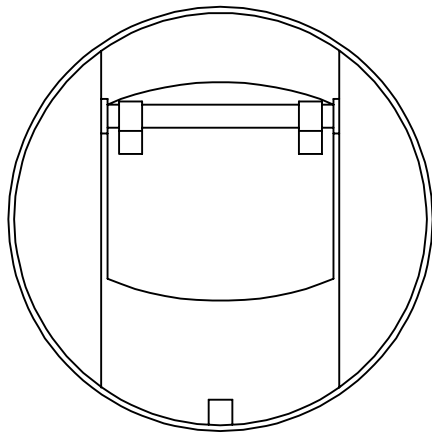
Union "Blue Label" Made.

PROJECT NAME:
W/O #:
TAG #:
CONTRACTOR:
SUBMITTED BY:



**MODEL: BDD-1**

## STANDARD DAMPER PRICING ROUND BACK-DRAFT DAMPERS

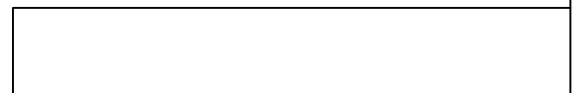


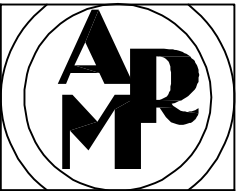
ADJUST SLIDE TYPE  
COUNTERBALANCE.....ADD 15%

4" TO 5 ½"	96.00
6" TO 10"	122.00
10 ½" TO 14"	148.00
14 ½" TO 18"	174.00
18 ½" TO 22"	200.00
22 ½" TO 26"	226.00
27" TO 32"	252.00

CONTACT FACTORY FOR SIZES OVER 32"Ø.

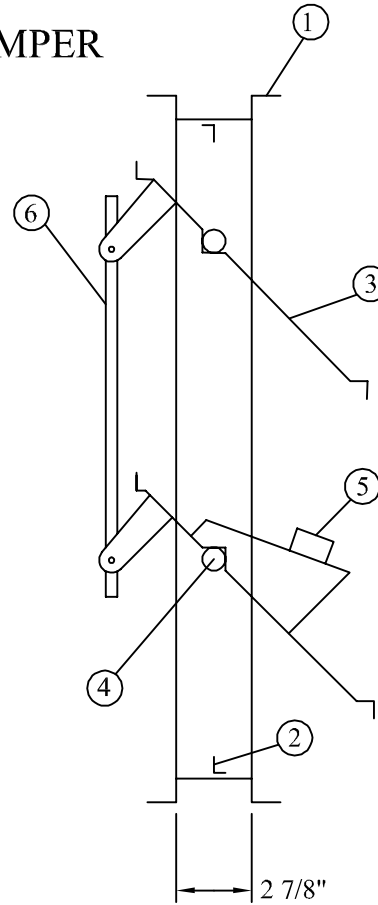
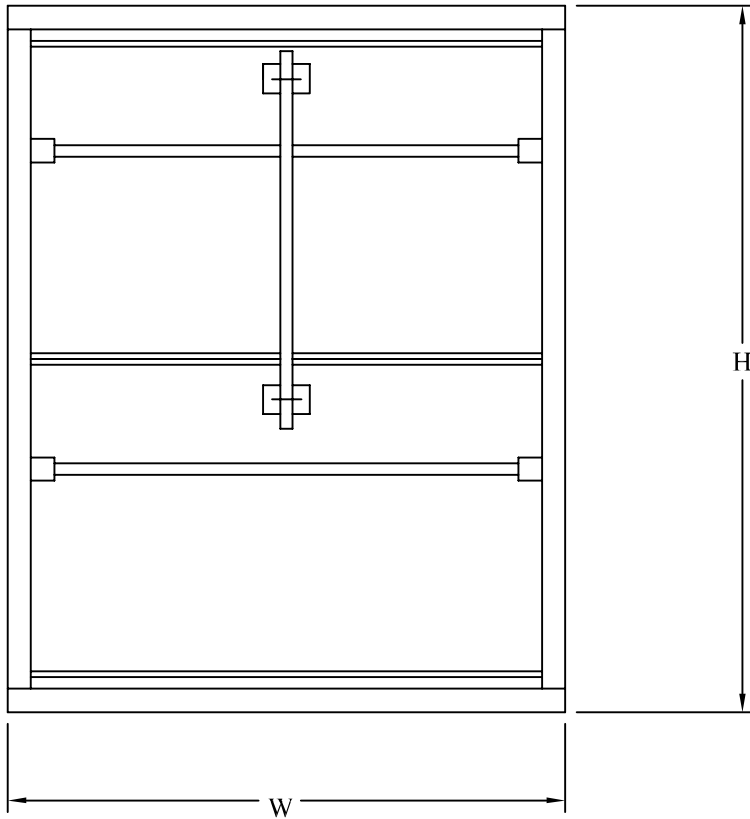
ALL ALUMINUM CONSTRUCTION.....ADD 40%.





## SUBMITTAL/FABRICATION DETAIL

### MODEL: BDD-2 BAROMETRIC RELIEF DAMPER



**MOUNTING:**  HORIZONTAL  
 VERTICAL

**AIR FLOW:**  UP  
 DOWN

#### Standard Construction

- ① -16 ga. hat channel frame.
- ② -3/8" angle blade stop.
- ③ -.063 Aluminum blade.
- ④ -1/2" brass bushing.
- ⑤ -Adjustable counter weight.
- ⑥ -14 ga. galvanized steel linkage brackets.
- ⑦ -Blade strap/slide pin blade hardware.

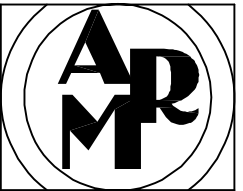
#### Optional Construction

- Foam blade seals.
- Flange frame.
- All aluminum construction.
- 20 ga. galvanized steel blades.
- Nylon bushings.

Count	W x H

Union "Blue Label" Made.

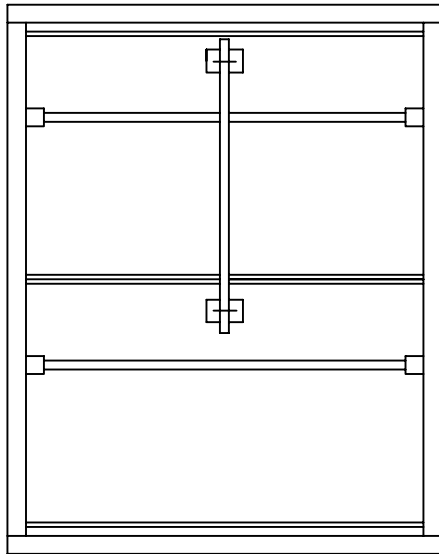
PROJECT NAME:
W/O #:
TAG #:
CONTRACTOR:
SUBMITTED BY:



**MODEL: BDD-2**

## STANDARD DAMPER PRICING

BAROMETRIC RELIEF / BACK-DRAFT DAMPERS



### DAMPER OPTIONAL CONSTRUCTION PRICING

FOAM BLADE SEALS.....ADD 8.0%

FLANGE FRAME.....ADD 45%

GALVANIZED STEEL DAMPER BLADES.....NO CHARGE

ALL ALUMINUM CONSTRUCTION.....ADD 40%

### WIDTH

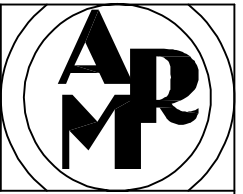
	<b>12</b>	<b>18</b>	<b>24</b>	<b>30</b>	<b>36</b>	<b>42</b>	<b>48</b>	<b>54</b>
<b>12</b>	158	184	202	240	312	344	362	392
<b>18</b>	180	222	232	272	352	382	396	424
<b>24</b>	202	248	260	306	386	418	428	458
<b>30</b>	224	276	288	340	420	454	460	494
<b>36</b>	246	302	318	374	454	490	494	534
<b>42</b>	268	330	346	406	488	508	526	576
<b>48</b>	290	356	376	440	522	558	564	624
<b>54</b>	312	384	406	472	556	600	594	672
<b>60</b>	334	412	436	506	590	614	636	726

HEIGHT

SPECIFY VERTICAL OR HORIZONTAL MOUNTING APPLICATION WHEN ORDERING.



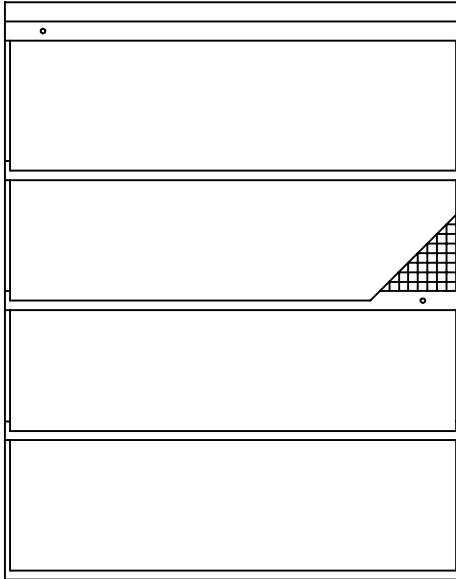




**MODEL: BDD-3**

## STANDARD DAMPER PRICING

FABRIC BLADE BACK-DRAFT DAMPERS



### OPTIONS:

FLANGED FRAME.....ADD 18%.

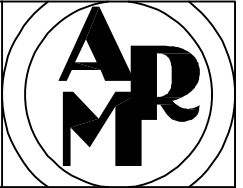
ALUMINUM CONSTRUCTION.....ADD 55%.

### WIDTH

	12"	16"	20"	24"	28"	32"	36"	40"	44"	48"
12"	94	100	102	108	114	118	122	128	134	140
16"	100	104	110	114	120	126	132	138	144	150
20"	116	120	128	134	140	148	154	158	166	172
24"	136	142	148	154	162	168	176	184	190	196
28"	156	164	170	176	184	192	200	206	212	222
32"	170	182	190	198	204	212	222	230	240	248
36"	194	204	212	220	230	238	246	254	262	272
40"	212	222	230	240	250	260	270	280	290	300
44"	230	242	252	264	274	284	294	304	314	324
48"	250	262	274	286	296	308	320	330	340	348

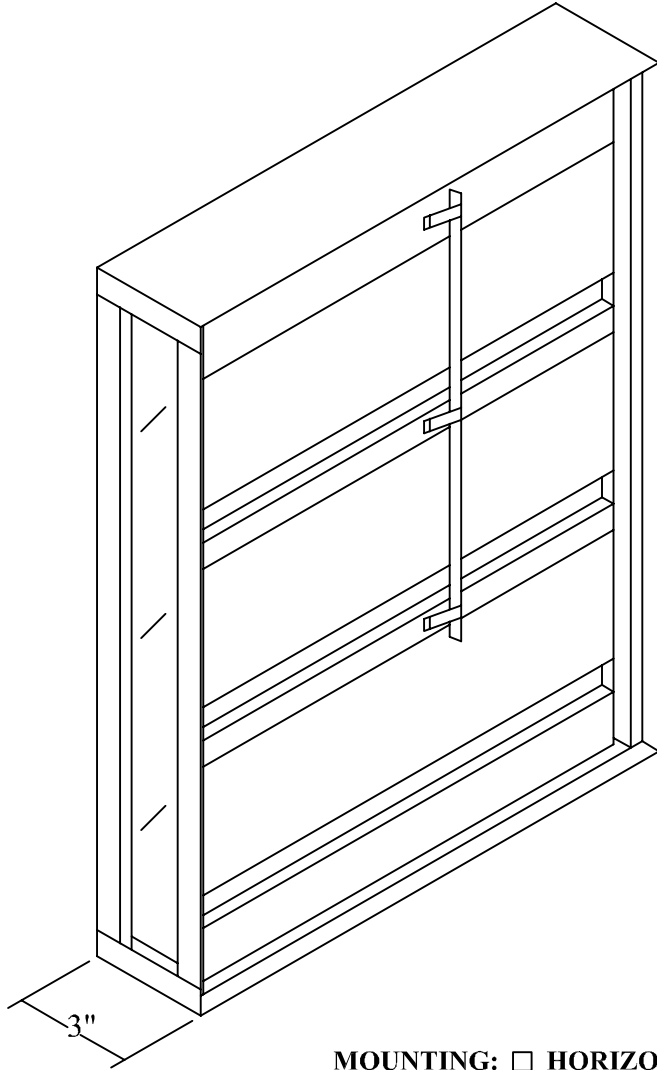
HEIGHT





**SUBMITTAL/FABRICATION DETAIL:**

**MODEL: BDD-4 BACKDRAFT DAMPER - VERTICAL/HORIZONTAL**



**MOUNTING:**  HORIZONTAL  
 VERTICAL

**AIR FLOW:**  UP  
 DOWN

VERTICAL: MAXIMUM ON PANEL WIDTH 48".

HORIZONTAL: MAXIMUM ONE PANEL WIDTH 36",  
 ALSO MUST SPECIFY AIR FLOW  
 AS UP OR DOWN.

COUNTERBALANCE AS NEEDED.

Standard Construction

1. FRAME - 18 GA. GALV. FLAT TOP & BOTTOM HAT CHANNEL SIDES.
2. BLADES - FORMED ALUMINUM, .032 GA.
3. AXELS - 12 GA. WIRE.
4. LINKAGE - FORMED .040 ALUMINUM.
5. BLADE STOPS - 20 GA. GALV. SPOT WELDED TO FRAME.
6. SEALS - URETHANE SPONGE 3/4" WIDE.

NOTE: DAMPER WILL BE BUILT 1/4" UNDERSIZED.

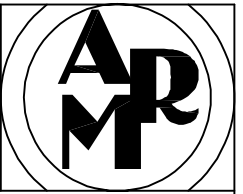
Count	Size

Union "Blue Label" Made.

PROJECT NAME:
W/O #:
TAG #:
CONTRACTOR:
SUBMITTED BY:

**PAGE: BDD-4**

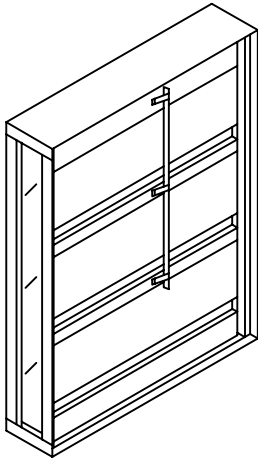




**MODEL: BDD-4**

## STANDARD DAMPER PRICING

### BACK-DRAFT DAMPERS



OPTIONS: FLANGE FRAME.....ADD 18%  
 BIRDSCREEN.....ADD 30%  
 <THIS INCLUDES A FRAME>  
 ALL ALUMINUM.....ADD 40%

NOTE: ON HORIZONTAL DAMPERS, PLEASE INCLUDE INFORMATION ON AIR UP OR AIR DOWN.

### WIDTH

HEIGHT

	6	8	10	12	14	16	18	20	22	24	26	28	30
6	112	118	124	128	134	136	140	146	148	156	158	164	170
8	124	130	136	140	146	148	152	158	162	168	174	176	182
10	136	142	148	152	158	162	164	170	174	180	182	188	192
12	148	154	160	164	170	174	176	182	186	188	192	198	204
14	160	166	172	176	180	182	186	192	194	200	204	210	212
16	172	178	184	188	192	194	198	204	206	210	212	218	224
18	184	190	196	200	204	206	210	216	218	222	224	230	234
20	196	204	208	212	216	218	222	224	228	234	236	240	246
22	208	214	218	222	224	228	230	236	240	242	246	252	254
24	220	226	230	234	236	240	242	248	252	254	258	260	266
26	232	238	242	246	248	252	254	258	260	264	266	272	276
28	244	250	254	258	260	264	266	270	272	276	278	282	288
30	258	264	266	270	272	276	278	282	286	288	290	294	296
32	270	276	278	282	284	288	290	294	298	300	302	306	310
34	280	284	288	290	294	296	300	302	308	310	312	316	318
36	294	296	300	302	304	306	310	312	316	318	322	324	328

