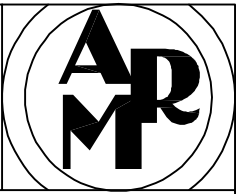


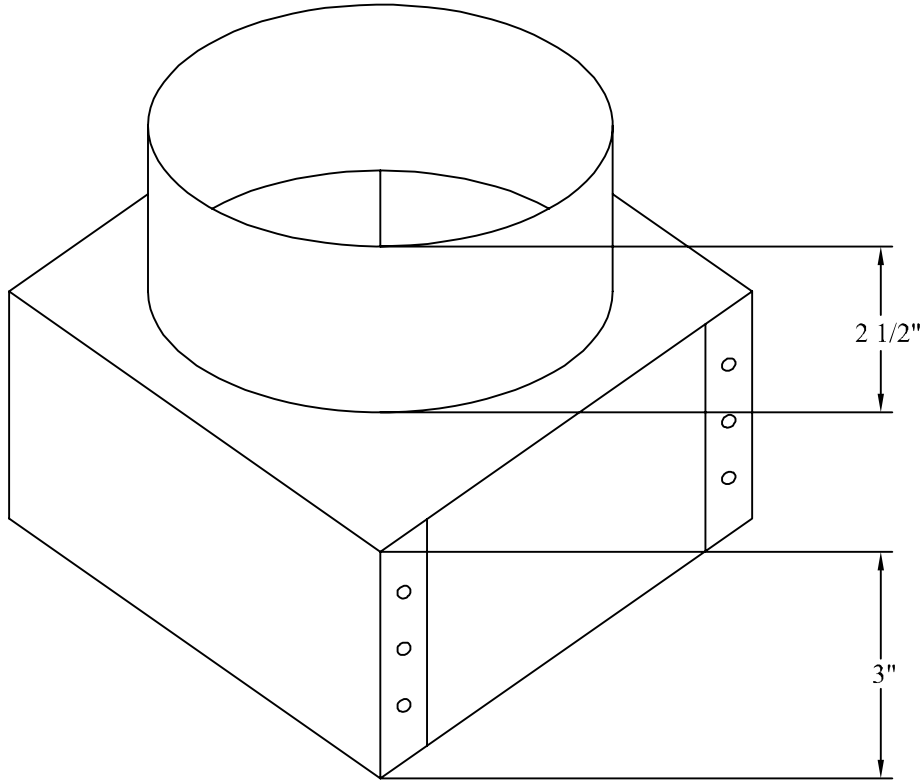
AIR-RITE MANUFACTURING, LLC

ADAPTORS



SUBMITTAL/FABRICATION DETAIL

MODEL: A-1 SQUARE TO ROUND REGISTER ADAPTER.



Count	W x L	Dia.

Standard Construction

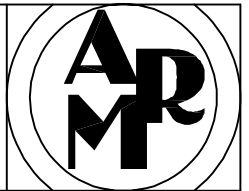
- Nominal 26 ga. construction.
- Button Lock corners.
- Barrel built 1/8" undersize.

Optional Construction:

- 6" deep base.
- Beaded Barrel.
- Rectangular box.
- Optional base heights.

Union "Blue Label" Made.

PROJECT NAME:
W/O #:
TAG #:
CONTRACTOR:
SUBMITTED BY:



MODEL: A-1, A-3

STANDARD ADAPTOR PRICING

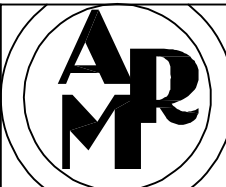
SQUARE TO ROUND REGISTER ADAPTORS

6x6 to 5"Ø	11.36	20x20 to 10"Ø	25.20
6x6 to 6"Ø	11.36	20x20 to 12"Ø	25.20
8x8 to 6"Ø	12.96	20x20 to 14"Ø	25.20
8x8 to 8"Ø	12.96	20x20 to 16"Ø	25.20
9x9 to 6"Ø	13.24	20x20 to 18"Ø	25.20
9x9 to 8"Ø	13.24	20x20 to 20"Ø	25.20
9x9 to 9"Ø	13.24	21x21 to 14"Ø	29.20
10x10 to 6"Ø	14.24	21x21 to 16"Ø	29.20
10x10 to 8"Ø	14.24	21x21 to 18"Ø	29.20
10x10 to 10"Ø	14.24	21x21 to 20"Ø	29.20
12x12 to 8"Ø	15.76	22x10 to 8"Ø	29.20
12x12 to 10"Ø	15.76	22x10 to 10"Ø	29.20
12x12 to 12"Ø	15.76	22x22 to 10"Ø	29.80
14x14 to 10"Ø	17.00	22x22 to 12"Ø	29.80
14x14 to 12"Ø	17.00	22x22 to 14"Ø	29.80
14x14 to 14"Ø	17.00	22x22 to 16"Ø	29.80
15x15 to 12"Ø	17.48	22x22 to 18"Ø	29.80
15x15 to 14"Ø	17.48	22x22 to 20"Ø	29.80
16x16 to 12"Ø	18.64	22x22 to 22"Ø	29.80
16x16 to 14"Ø	18.64	24x24 to 10"Ø	33.00
16x16 to 16"Ø	18.64	24x24 to 12"Ø	33.00
18x18 to 10"Ø	21.04	24x24 to 14"Ø	33.00
18x18 to 12"Ø	21.04	24x24 to 16"Ø	33.00
18x18 to 14"Ø	21.04	24x24 to 18"Ø	33.00
18x18 to 16"Ø	21.04	24x24 to 20"Ø	33.00
18x18 to 18"Ø	21.04	24x24 to 22"Ø	33.00

ADD FOR A-3 MODEL CONSTRUCTION: 15%

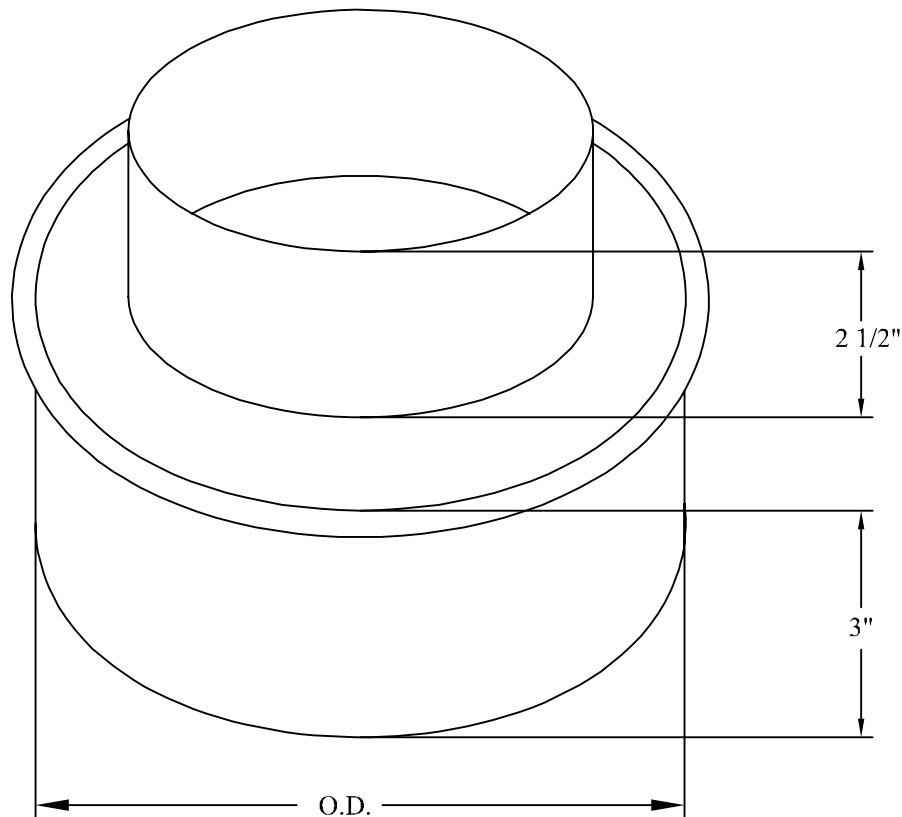
SRA OPTIONAL CONSTRUCTION PRICING

ADD FOR 8" BASE:	30%
ADD FOR 6" BASE:	20%
ADD FOR 2" BASE:	NO CHARGE
ADD FOR ALUMINUM CONSTRUCTION:	40%



SUBMITTAL/FABRICATION DETAIL

MODEL: A-2 ROUND TO ROUND ADAPTER.



Count	Inside Dia.	Outside Dia.

Standard Construction

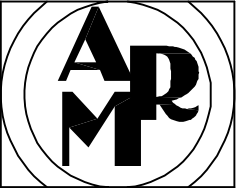
-Nominal 26 ga. construction.

Optional Construction:

- 6" deep base.
- I.D. side.
- O.D. side.

Union "Blue Label" Made.

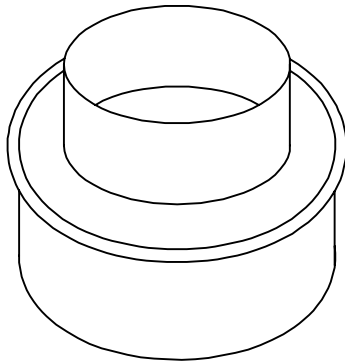
PROJECT NAME:
W/O #:
TAG #:
CONTRACTOR:
SUBMITTED BY:



MODEL: A-2

STANDARD ADAPTOR PRICING

SQUARE TO ROUND REGISTER ADAPTORS



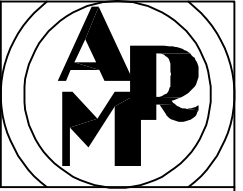
OPTIONAL CONSTRUCTION PRICING

ADD FOR TAPERED BODY: 75%

ADD FOR ALUMINUM CONSTRUCTION: 40%

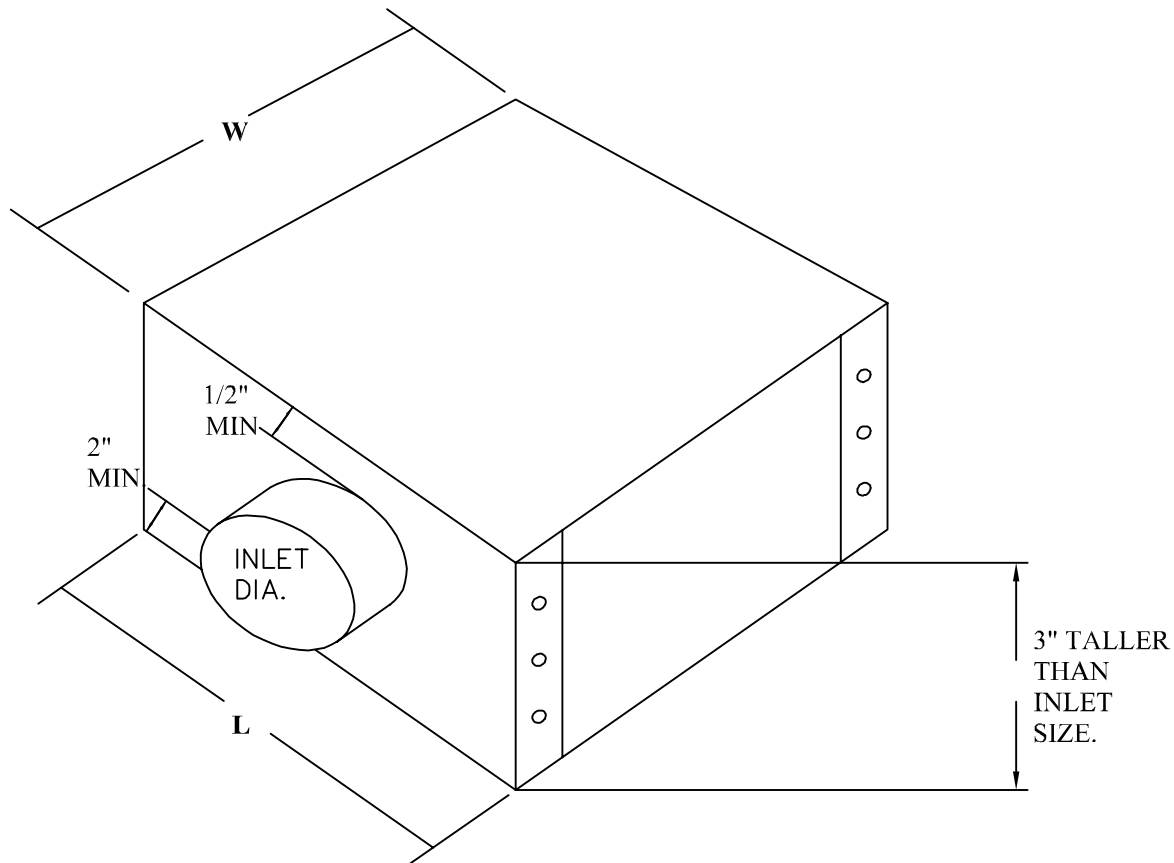
6"Ø to 4"Ø	17.84
6"Ø to 5"Ø	17.84
7"Ø to 6"Ø	17.98
8"Ø to 6"Ø	19.70
8"Ø to 7"Ø	19.70
9"Ø to 8"Ø	21.08
10"Ø to 8"Ø	23.48
10"Ø to 9"Ø	23.48
12"Ø to 10"Ø	26.12
14"Ø to 10"Ø	33.00
14"Ø to 12"Ø	33.00
16"Ø to 12"Ø	39.88
16"Ø to 14"Ø	39.88
18"Ø to 14"Ø	49.50
18"Ø to 16"Ø	49.50





SUBMITTAL/FABRICATION DETAIL

MODEL: A-3 SQUARE TO ROUND REGISTER ADAPTER W/ SIDE INLET.



Count	W x L	Dia.

Standard Construction

- Nominal 26 ga. construction.
- Spot welded corners.
- Barrel built 1/4" undersize.

Optional Construction:

- Lined Box.
- Beaded Barrel.
- Rectangular box.
- Optional base heights.
- Turning Vane.

Union "Blue Label" Made.

PROJECT NAME:
ENGINEER:
TAG #:
CONTRACTOR:
SUBMITTED BY: